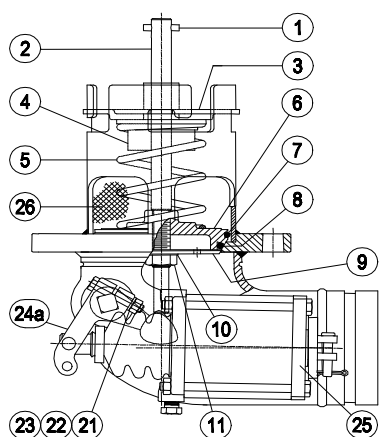


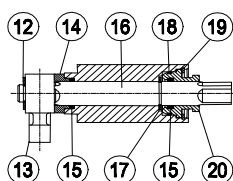
**PARTS LIST**

# Emergency Valve

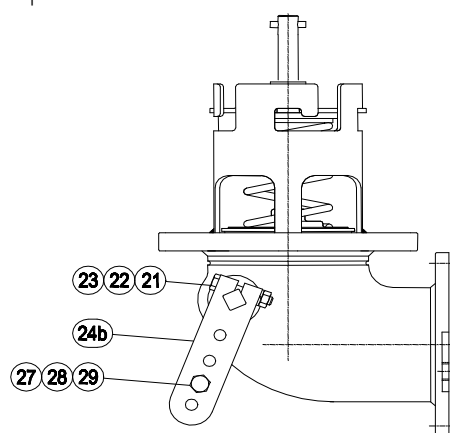
3" Tapered Seat Aluminum



**Air Operated**



**Stuffing Box Detail**



**Cable Operated**

| NO. | REQ. | DESCRIPTION                    | MATERIAL          | PART NO.   |
|-----|------|--------------------------------|-------------------|------------|
| 1   | 1    | Bail Pin 3/16 dia. X 1"        | Stnls 18-8        | 9Q5901     |
| 2   | 1    | Stem                           | Stnls 316         | 26886SS    |
| 3   | 1    | Bonnet                         | Stnls 316         | 18770SS    |
| 4   | 1    | Spring Washer & Shaft Guide    | Teflon W/Glass    | 18881TG    |
| 5   | 1    | Spring                         | Stnls 316         | 18222SS    |
| 6   | 1    | O-Ring Holder                  | Aluminum          | 18768AL    |
| 7   | 1    | Guide Ring                     | Teflon            | 18283TF    |
| 8   | 1    | O-Ring Seat                    | Viton             | 18098VT    |
|     |      |                                | Tef - Sil         | 18098TS    |
| 9   | 1    | Retainer Plate                 | Aluminum          | 18769AL    |
| 10  | 1    | Lockwasher 1/2" external Tooth | Stnls 410         | 9Q5916     |
| 11  | 1    | Hex Half Nut 1/2-20UNF         | Stnls 304         | 9Q5909     |
| 12  | 1    | Retaining Ring - Cam           | Stnls 410         | 9Q4933     |
| 13  | 1    | Cam                            | Stnls 316         | 19021SS    |
| 14  | 1    | Retainer Sleeve                | Teflon W/Glass    | 18467TG    |
| 15  | 2    | O-Ring Cam Shaft               | Viton             | 17946VT    |
|     |      |                                | Tef-Sil           | 17946TS    |
| 16  | 1    | Cam Shaft                      | Stnls 316         | 27340SS    |
| 17  | 1    | Retaining Ring - Cam Shaft     | Stnls 316         | 9Q4970     |
| 18  | 1    | O-Ring Gland                   | Viton             | 17945VT    |
|     |      |                                | Tef-Sil           | 17945TS    |
| 19  | 1    | Retaining Ring - Gland         | Stnls 316         | 9Q4968     |
| 20  | 1    | Gland                          | Aluminum          | 17821AL    |
| 21  | 1    | Bolt 1/4-20UNC x 1.50 lg.      | Steel - Zinc Plt. | 9Q5947     |
| 22  | 1    | Lockwasher 1/4"                | Steel - Zinc Plt. | 9Q5845     |
| 23  | 1    | Hex Nut 1/4-20UNC              | Steel - Zinc Plt. | 9Q5806     |
| 24a | 1    | Lever Arm - Air                | Steel "E" Coated  | 18366EY    |
| 24b | 1    | Lever Arm - Cable              | Steel "E" Coated  | 10587EY    |
| 25  | 1    | Air Cylinder Assembly          | Aluminum          | AC35005ALB |
| 26  | 1    | Screen - Optional              | Stnls 304         | 17644SL    |
| 27  | 1    | Bolt 5/16-18UNC - 1" lg.       | Steel - Zinc Plt. | 9Q5829     |
| 28  | 1    | Lockwasher 5/16"               | Steel - Zinc Plt. | 9Q5845     |
| 29  | 1    | Hex Nut 5/16-18UNC Thd.        | Steel - Zinc Plt. | 9Q5808     |