



3" Quick Clean QRB Hydrolet – 90 Degree Elbow

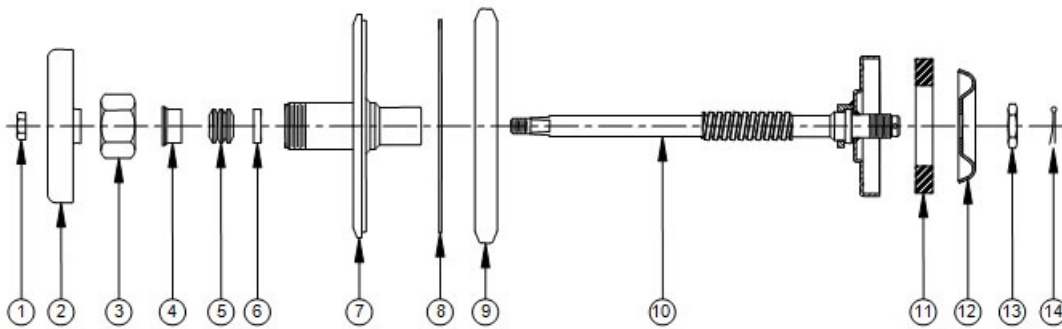
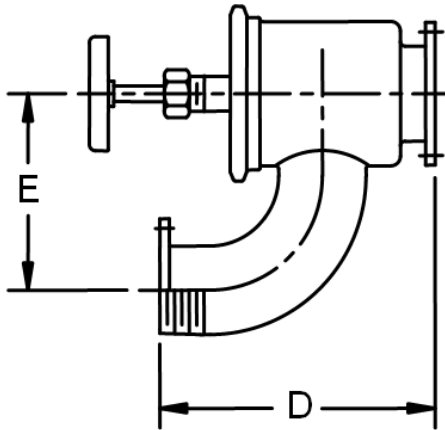
The Betts Quick Clean Q.R.B. Hydrolet Valve with the seamless body and exclusive quick-removable bonnet is designed for use on transport tanks hauling a variety of products, where easy dismantling for cleaning and inspection is essential. The valve is available in the two styles with flanged or threaded outlets. The valve is constructed of 316 stainless for compatibility with a wide range of products.

Pressure and Temperature Rating:

- Max working pressure (MAWP): 35 psi [2.4 bar]
- Max temperature (dependent on seal):
- PTFE, FKM or Non-Asbestos: 400°F [204°C]
- Nitrile (Buna-N): 230°F [110°C]

Assembly Number	Dimensions	Flange-Inlet & Outlet	Outlet	Wt.
QC703SST	D: 11" [279 mm]	I.D.: 3 3/8" [86 mm]	Flanged	17.5 lbs (7.9 kg)
	E: 7 1/2" [191 mm]	O.D.: 5 5/8" [143 mm]		
		B.C.: 4 7/8" [124 mm]		
		Holes: 8-7/16" [11 mm]		
QC713SST	D: 11" [279 mm]	I.D.: 3 3/8" [86 mm]	3" Threaded	17.5 lbs (7.9 kg)
	E: 7 1/2" [191 mm]	O.D.: 5 5/8" [143 mm]		
		B.C.: 4 7/8" [124 mm]		
		Holes: 8-7/16" [11 mm]		

90° Elbow



Parts List

No.	Description	Req	Material	Part No.
1	7/16-14UNC-2A Hex Nut	1	Stnls.	9Q8580
2	Handwheel	1	Alum.	25186AL
3	Stuffing Box Nut	1	Stnls.	15026SL
4	Top Gland	1	Stnls.	15220SS
5	Teflon Packing	1	Teflon	19649TF
6	Bottom Gland	1	Stnls.	15076SS
7	Tophead & Bonnet	1	Stnls.	16126SS
8	Tophead Gasket	1	Teflon/FKM	15977TF
9	Clamp Ring Assembly	1	Stnls.	25683SL
10	Disc Holder & Stem Assem.	1	Stnls.	17683SS
11	Disc	1	Teflon	15202TF
12	Disc Retainer Plate	1	Stnls.	17028SS
13	Disc Plate Nut	1	Stnls.	15204SS
14	1/8x1 Cotter Pin	1	Stnls.	9Q5867



Teflon Accordion Packing

Quick Release Bonnet Hydrolet Maintenance Manual #MM-HY001

EB-03-18: Procedure for Pneumatic Leak Test of Hydrolet Valve (Pre-Load Qualification)

EB-09-99: Q.R.B. Hydrolet Clamp Ring Installation and Torque Rating.

⚠ WARNING: This product can expose you to chemicals including Lead, which is known to the State of California to cause cancer, birth defects or other reproductive harm. For more information go to: www.P65Warnings.ca.gov. For additional information on Betts products and Proposition 65 list please see: <http://www.bettsind.com/prop-65/>