



A NEW BREED OF HIGH-FLOW, EXTREME-CONDITION GEAR PUMP FOR MULTI-VISCOUS AND ABRASIVE FLUIDS HAS **EMERGED**



HARDENED INTERNALS
FOR **SUPERIOR DURABILITY**

HIGHER **FLOW RATES**

**IMPROVED SEALING
OPTIONS** TO
ELIMINATE LEAKING

**NO EXTERNAL GREASE
SYSTEM REQUIRED**

EASY TO MAINTAIN

**MULTI-VISCOSITY
CAPABILITIES**

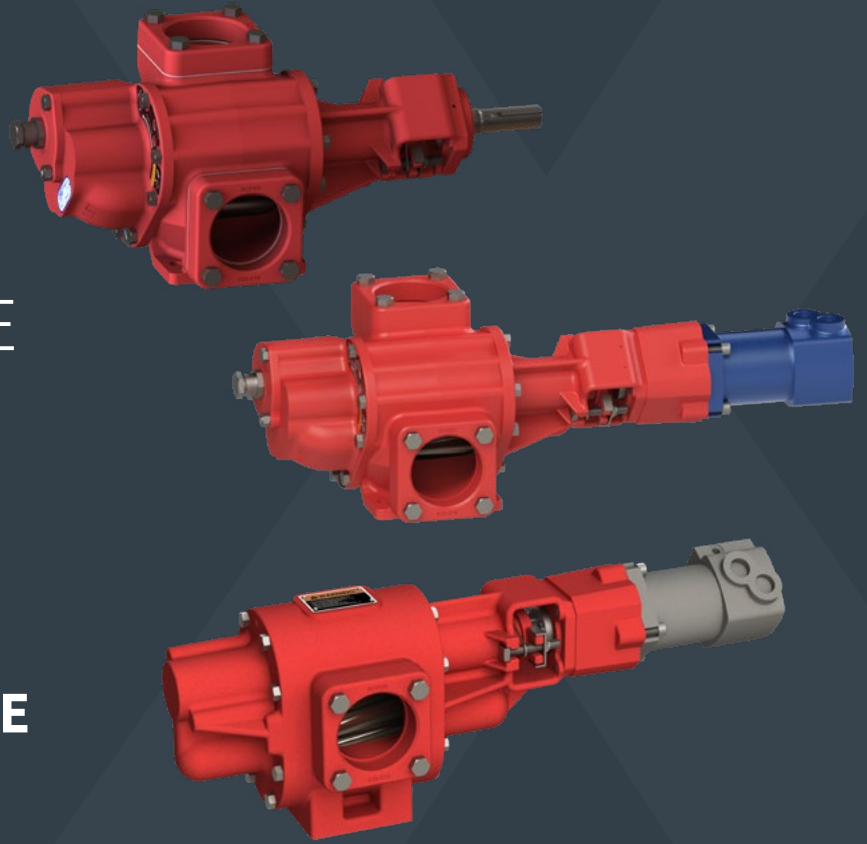
A NEW STANDARD
HAS EMERGED





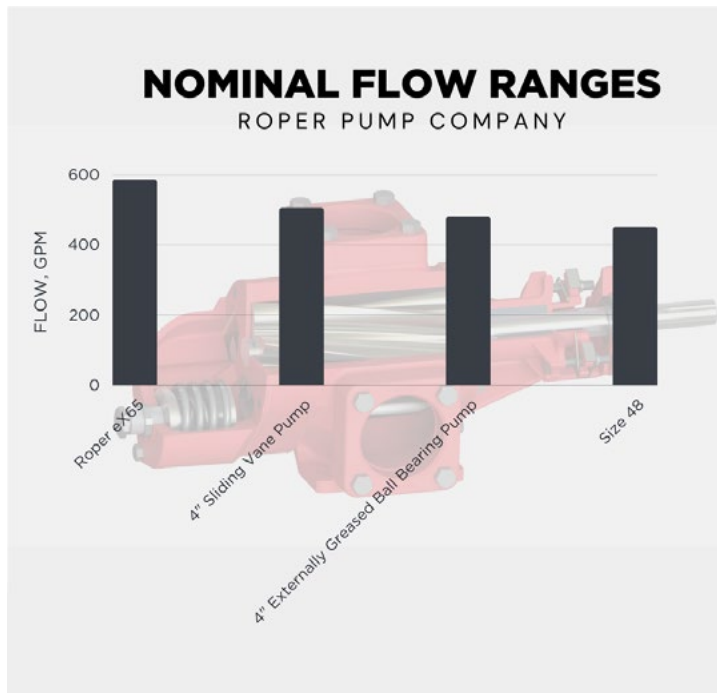
THE ROPER eX Series ADVANTAGE

- ✓ MORE FLUIDS
- ✓ HIGHER FLOW RATES
- ✓ REDUCED RUN TIMES
- ✓ SUPERIOR SERVICE LIFE



SETTING A NEW STANDARD FOR MULTI-VISCOUS AND ABRASIVE FLUIDS

FLOW RANGE CHART



Typical Applications

- Multi-Viscosity Fluids
- Petroleum Condensate
- Crude Oil
- Abrasive Fluids

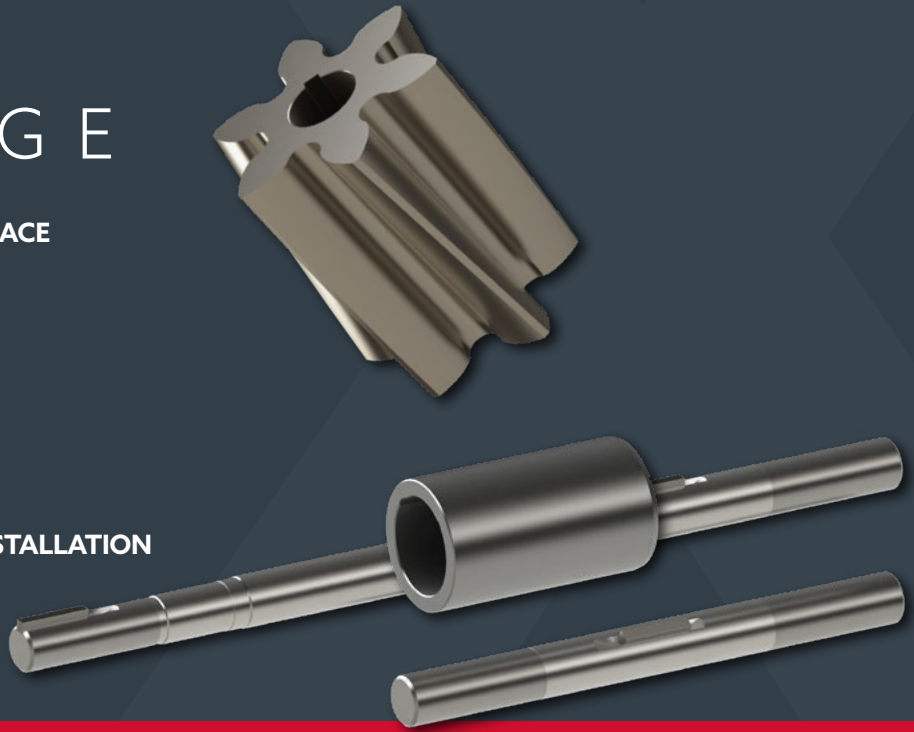
Models

- 3248BH, 3248BHFRV, 3248HB, 3248HBFRV - Triple Lip Seal w/ BU PKG
- 3748BH, 3748BHFRV, 3748HB, 3748GBFRV - Super Pump Seal
- 3265BH, 3265BHFRV, 3265HB, 3265HBFRV - Triple Lip Seal w/ BU PKG
- 3765BH, 3765BHFRV, 3765HB, 3765GBFRV - Super Pump Seal
- 180 Ports also available for these models, where applicable



THE ROPER **eX** Series ADVANTAGE

- + ALLOY STEEL SHAFTS THAT ARE SURFACE HARDENED FOR DURABILITY
- + WEAR-RESISTANT INTERNALS
- + NOTHING TO OIL OR GREASE
- + HARDENED IRON GEARS
- + IMPROVED SEALING CAPABILITIES
- + MULTIPLE ROTATIONS FOR EASIER INSTALLATION
- = EXTENDED SERVICE LIFE



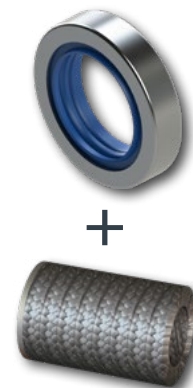
SETTING A NEW STANDARD IN eXTREME CONDITIONS

SEAL OPTIONS



SUPER SEAL

- Will tolerate extended run dry
- Will resist hydraulic shock
- Versatility for thin to very thick liquids including non-lubricating or gas laden liquids
- No springs to clog and no dynamic O-rings to hang up
- Will tolerate a high degree of pump run-out due to pump wear and/or misalignment



TRIPLE LIP SEAL WITH PACKING BACKUP

- Packing backup aids to control leakage if TLS fails until replacement can be scheduled
- Improved Reliability
- Minimizes Maintenance Requirements
- Application Versatility



THE LEADING FORCE behind liquids™ since 1857

Roper Pump Company is a global supplier of high quality positive displacement pumps, designed to handle a broad range of industrial applications.

In addition to helical gear pumps and progressing cavity pumps, we design and develop numerous custom pumps for customers with unique and demanding applications.

From a small pump company founded in 1857, Roper Pump Company has grown into a technological leader. With a large installed base, we have both the knowledge and experience to help you solve your most challenging pumping problems...and our strong global distribution network ensures that your needs are met on time, every time.



Industrial

Roper Pump Company's rugged and dependable range of positive displacement pumps provides versatile pumping solutions for even the most challenging industrial applications.



Transport

With over a century of experience in liquid cargo transfer, Roper Pump Company has always been trusted to load and unload your tankers quickly and safely.



Power Gen.

For reliable operation of engines, compressors and turbines, thousands of customers depend on Roper Pump Company fuel pumps, lube pumps and liquid fuel flow dividers.

Roper Pump Company

PO Box 269
Commerce, GA 30529 USA

Office: (706) 335-5551
Fax: (706) 335-5490

sales@roperpumps.com
www.roperpumps.com

©2023 by Roper Pump Company

Roper Pumps® is a registered trademark of Roper Pump Company.

THE LEADING FORCE behind liquids™ is a trademark of Roper Pump Company

DOC# PB-eX-Series-2023-V1

DISCLAIMER

The information contained within this brochure and the functions offered is intended to provide information about products available for purchase from Roper Pump Company. All reasonable efforts have been made to ensure the accuracy of the information. Under no circumstances shall Roper Pump Company be liable to any party for any damage, whether direct, indirect, special or other consequential damages, for any use of, reference to or reliance on this brochure or its contents - including, but not limited to - any errors or unexpected un-fulfillment of shipments, any loss of profits, or business interruption. Roper Pump Company reserves the right to make changes to the brochure and the product functions at any time without notice.