



Guardian™ 407/412 Vacuum Breaker, 3" and 4" NPS Swivel Connection



The Betts' Guardian™ vacuum breaker is a spring-loaded reclosing vacuum relief valve for use on a cargo tank's vacuum relief system. The vacuum breaker is designed, tested and marked in accordance with US DOT 49CFR §178.345-10, §178.347-4 and §178.348-4. The body and O-ring holder are constructed of 316L stainless steel with PTFE standard seals for compatibility with a wide range of products and temperatures. The simplistic design allows for easy tear-down and maintenance.

- Vibration resistant magnetic seat
- Available ECTFE (Halar®) lined/coated
- Body includes 1" and ¼" NPT ports
- 3" or 4" NPS swivel mounting
- Compact optimized flow design
- Seal tabs on shroud and swivel nut
- Multiple seal material options

MAWP: 50 psi [3.4 bar]

Minimum Bursting Pressure: 200 psi [13.8 bar]

Part Number	Size and Connection	Weight	Mounting Details
RVV3S*	3" Vacuum Valve with 3" NPS Swivel Mounting	4.5 lbs. [2.0 kg]	PTFE face seal on top of pipe nipple
RVV4S*	4" Vacuum Valve with 4" NPS Swivel Mounting	5.9 lbs. [2.7 kg]	PTFE face seal on top of pipe nipple

- An example part number for a 3" Vacuum Breaker with PTFE seals would be **RVV3ST**.
- Vents can be specified with ECTFE (Halar®) lined/coated wetted components for aggressive chemical applications by adding an 'L' in the part number, as shown (e.g. RVVL3ST).

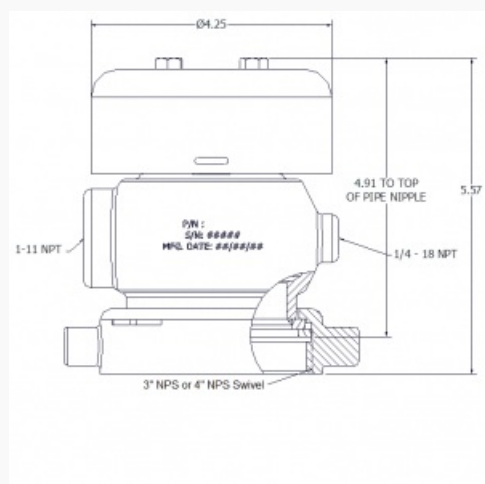
* Seal Material Code	Material	Temp. Range
T	PTFE	-40°F to +400°F [-40°C to +204°C]
F	Fluorosilicone	-50°F to +350°F [-45°C to +176°C]
K	Kalrez	-20°F to +400°F [-28°C to +204°C]
VB	FKM BLT	-15°F to +400°F [-26°C to +204°C]

Set Pressure and Air Flow Capacity

Size	Set Vacuum	Rated Air Flow Capacity
3"	1.5 psig [10.3 kPa]	18,000 SCFH @ 3.0 psig [509 SCMh @ 206.8 kPa]
4"	1.5 psig [10.3 kPa]	18,000 SCFH @ 3.0 psig [509 SCMh @ 206.8 kPa]

Notes: 1) Values shown are test values. Actual results may vary due to service conditions.

2) Set pressure is defined as point at which continuous flow is seen, felt or heard around the seat area. (nomenclature per ASME Section XII Part TR-110 and TTMA TB-126.)



Seal Kit part number: SK-RVVT

*Mounting gasket not included in seal kit

Spanner wrench part number: 75825EY



WARNING: This product can expose you to chemicals including Chromium (hexavalent compounds) which is known to the State of California to cause cancer, birth defects or other reproductive harm. For more information go to: www.P65Warnings.ca.gov. For additional information on Betts products and Proposition 65 list please see: <http://www.bettsind.com/prop-65/>