

Sliding Valve Metal-to-Metal Seat

MANUAL VALVE

3", 4", and 6" ID

The Betts sliding valve is an economical manually operated external stop valve that provides a quick open or close function. The 316 stainless discs offer premium corrosion resistance and the adjustable packing nut with woven PTFE infused packing allows for easy stem adjustments. The metal to metal seal has advantages for many applications, but is susceptible to wear and scratches. If a maintainable seal valve is required, please see Betts line of replaceable o-ring seat sliding valves (Section 17 Page 4A).

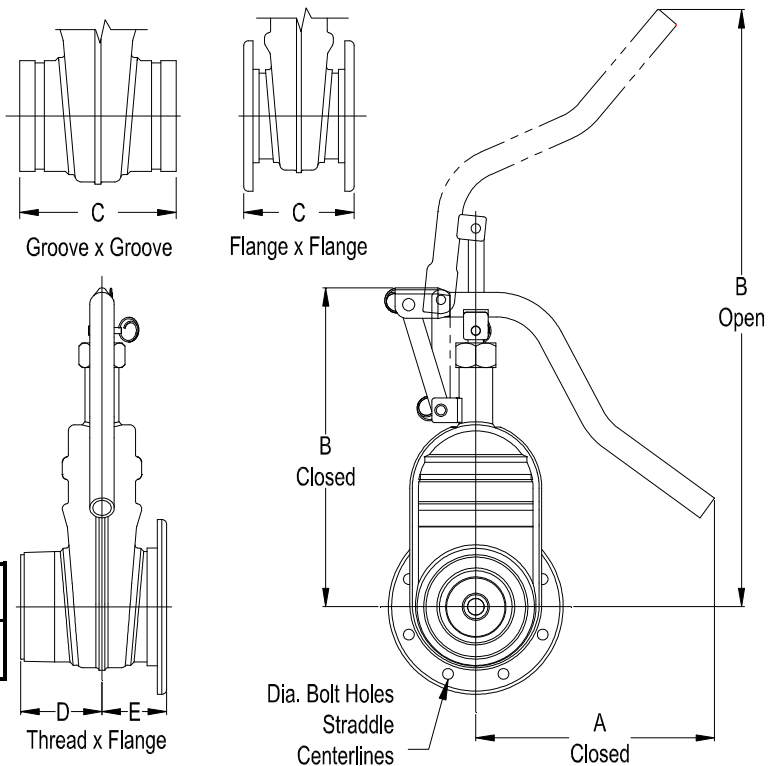
Add suffix "J" to Part No. for heat tube version. See section 17 page 1B for details.
(Heat tube MAWP = 150 psi)

Body Material	Valve MAWP**	Min. Burst Pressure	Temp. Range
Steel or Stainless	50 psi [3.4 bar]	200 psi [13.8 bar]	-40 °F to 500 °F [-40 °C to 260 °C]

NOTE: Valve should NEVER be heated with flame

See section 17 page 1B for parts list.

Flange bolt pattern per TTMA recommendations and grooved outlets per MIL-C-10387B.



Size	Description	Assembly No.	Flange Dims.				Dimensions					Wt.
			OD	BC	Holes	Thick.	A	B	C	D	E	
3" [76 mm]	TTMA Flange x TTMA Flange	SV903***	6.13" [156 mm]	4.88" [124 mm]	8 - .44" [8 - 11 mm]	.135" [3.5 mm]	9.63" [244 mm]	CLOSE 12.06" [306 mm]	4.50" [114 mm]	N/A	N/A	11.4 lb. [5.2 kg]
	3" Threaded Pipe x TTMA Flange	SV913***				.135" [3.5 mm]			N/A	3.13" [79 mm]	2.25" [57 mm]	10.9 lb. [4.9 kg]
	ANSI Flange x ANSI Flange	SV953***	7.25" [184 mm]	6.00" [152 mm]	4 - .75" [4 - 19 mm]	.50" [13 mm]		OPEN 19.63" [498 mm]	5.12" [130 mm]	N/A	N/A	19.0 lb. [8.6 kg]
	3" Threaded Pipe x ANSI Flange	SV963***				.50" [13 mm]			N/A	3.13" [79 mm]	2.56" [65 mm]	15.0 lb. [6.8 kg]
4" [102 mm]	TTMA Flange x TTMA Flange	SV904***	7.13" [181 mm]	5.88" [149 mm]	8 - .44" [8 - 11 mm]	.135" [3.5 mm]	9.63" [244 mm]	CLOSE 13.00" [330 mm]	5.26" [134 mm]	N/A	N/A	14.9 lb. [6.8 kg]
	4" Threaded Pipe x TTMA Flange	SV914***				.135" [3.5 mm]			N/A	3.31" [84 mm]	2.63" [67 mm]	14.1 lb. [6.4 kg]
	ANSI Flange x ANSI Flange	SV954***	9.00" [229 mm]	7.50" [191 mm]	8 - .75" [8 - 19 mm]	.50" [13 mm]		OPEN 24.44" [621 mm]	7.00" [178 mm]	N/A	N/A	24.5 lb. [11.1 kg]
	4" Threaded Pipe x ANSI Flange	SV964***				.50" [13 mm]			N/A	3.31" [84 mm]	3.50" [89 mm]	20.0 lb. [9.1 kg]
6" [152 mm]	TTMA Flange x TTMA Flange	SV906***	9.38" [238 mm]	8.13" [206 mm]	12 - .44" [12 - 11 mm]	.135" [3.5 mm]	11.69" [297 mm]	CLOSE 16.69" [424 mm]	8.00" [203 mm]	N/A	N/A	32.5 lb. [14.7 kg]
	6" Threaded Pipe x TTMA Flange	SV916***				.135" [3.5 mm]			N/A	5.07" [129 mm]	4.00" [102 mm]	30.0 lb. [13.6 kg]
	ANSI Flange x ANSI Flange	SV956***	11.00" [279 mm]	9.50" [241 mm]	8 - .88" [8 - 22 mm]	.50" [13 mm]		OPEN 31.56" [802 mm]	8.00" [203 mm]	N/A	N/A	46.0 lb. [20.9 kg]
	6" Threaded Pipe x ANSI Flange	SV966***				.50" [13 mm]			N/A	5.07" [129 mm]	4.00" [102 mm]	40.0 lb. [18.1 kg]

** MAWP certified for new valves only. Seat/disc damage or wear may reduce sealable MAWP.

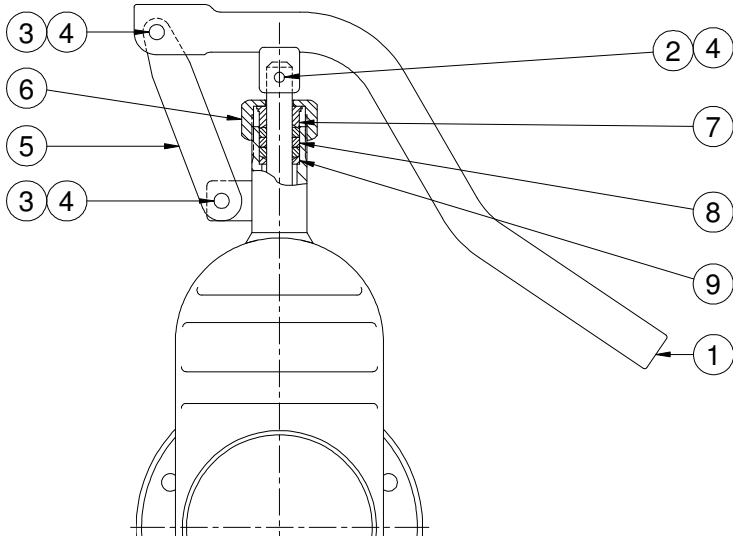
*** Last three letters of part number designates material of construction as shown below:

"MSM" = Steel Body with 316 Stainless Stem & Gates "SSM" = 316 Stainless Body, Stem & Gates

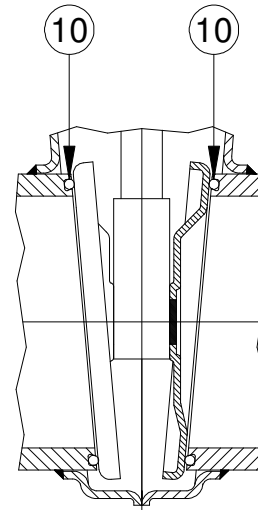
PARTS LIST

3, 4 & 6" SLIDING VALVES

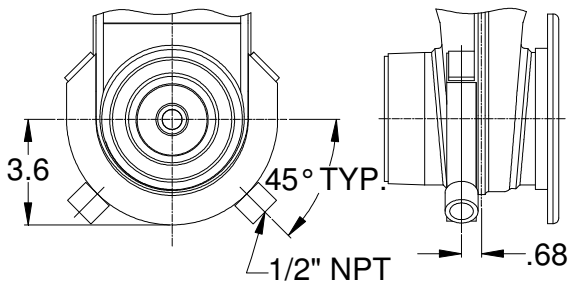
MANUAL VALVE



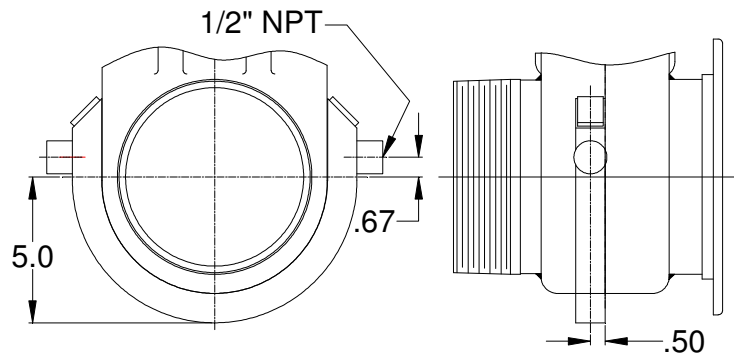
**Metal to Metal or
Replaceable Seat**



Replaceable Seat Only



4" Heat Tube Details



6" Heat Tube Details

NO.	REQ.	DESCRIPTION	MATERIAL	3 & 4" PART NO.	6" PART NO.
1	1	Handle	Steel "E" Coated	35131EY	26764EY
2	1	Clevis Pin 1/4 x 1 1/4	Steel Zinc Plate	9Q4728	9Q4728
3	1	Clevis Pin - Link	Steel Zinc Plate	15757ZC	15757ZC
4	3	Circle Cotter Pin	Stainless Steel	9Q5002	9Q5002
5	1	Link	Steel "E" Coated	17446EY	17446EY
6	1	Stuffing Box Nut	Anodized Aluminum	15026AL	15026AL
			Stainless Steel	15026SL	15026SL
7	1	Top Gland	Stainless Steel	15220SS	15220SS
8	1	Packing Set (3 Rings per Set)	Teflon Suspensoid	15227NT	15227NT
9	1	Bottom Gland	Stainless Steel	15076SS	15076SS
10	2	* Seat O-Ring	Tef-Sil	19430TS	19428TS

* Replaceable Seat Valves only.