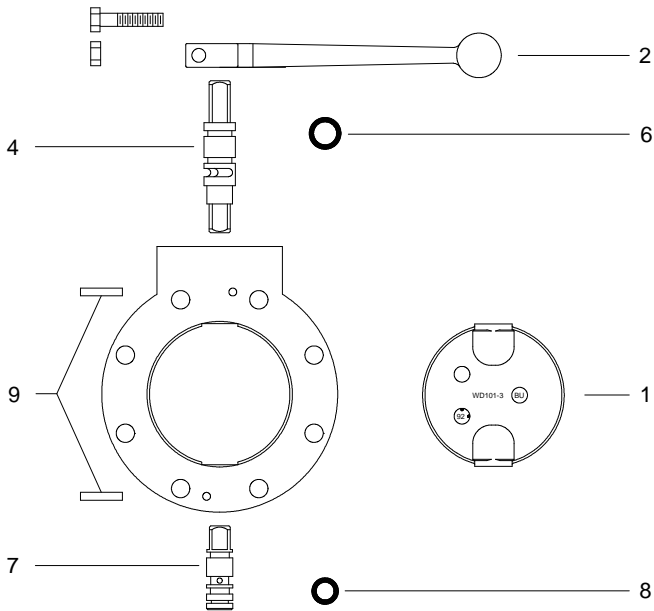
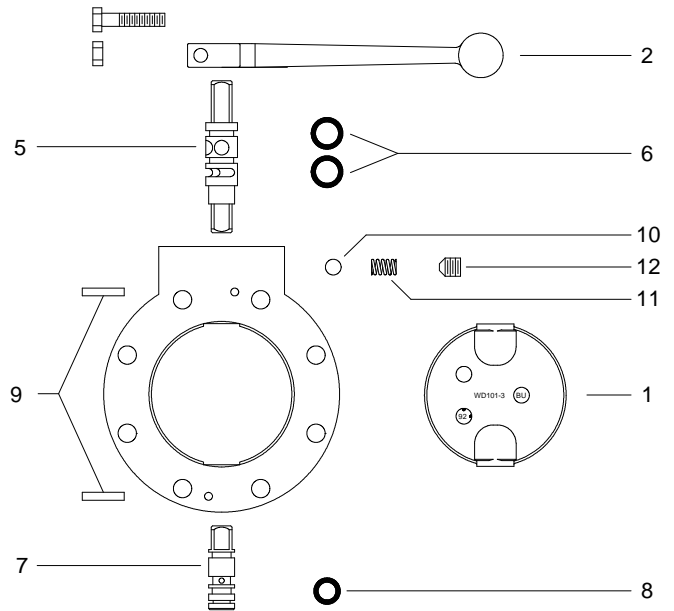


PARTS LIST

# Wet-R-Dri VALVE



STANDARD MODEL



DETENT MODEL

No.	Description	Material	2" Size	3" Size	4" Size	5" Size	6" Size	8" Size
			Part No.	Part No.	Part No.	Part No.	Part No.	Part No.
1	Disc	Buna-N	WD101-2 BN	WD101-3 BN	WD101-4 BN	WD101-5 BN	WD101-6 BN	WD101-8 BN
		Viton	WD101-2 VT	WD101-3 VT	WD101-4 VT	WD101-5 VT	WD101-6 VT	WD101-8 VT
		Urethane	WD101-2 PY	WD101-3 PY	WD101-4 PY	WD101-5 PY	WD101-6 PY	WD101-8 PY
		EPDM	WD101-2 EP	WD101-3 EP	WD101-4 EP	WD101-5 EP	WD101-6 EP	WD101-8 EP
2	Handle	Mall. "E" Coated	25884EY	25884EY	25884EY	25884EY	25933AL	25933AL
	Cap Screw	Steel Zinc Plt.	9Q5813	9Q5813	9Q5813	9Q5813	9Q5898	9Q5898
	Hex. Nut	Steel Zinc Plt.	9Q5808	9Q5808	9Q5808	9Q5808	9Q5808	9Q5808
4	Drive Shaft	Steel	27053MS	27050MS	27050MS	27051MS	16229MS	16229MS002
5	Drive Shaft	Steel	27053MS001	27050MS001	27050MS001	27051MS001	16229MS	16229MS002
6	O-Ring	To Match Disc Mat'l.	17889**	17889**	17889**	17889**	18831**	18831**
7	Bearing Shaft	Steel	16006MS	15913MS	15913MS	15913MS	16230MS	16230MS002
8	O-Ring	To Match Disc Mat'l.	17781**	18141**	18141**	18141**	18831**	18831**
9	Driv-Lok-Pin	Steel Zinc Plt.	9Q4893	9Q4893	9Q4893	9Q4925	9Q4926	9Q4938
10	Detent Ball	440 Stnls	9Z4856	9Z4856	9Z4856	9Z4856	9Z4856	9Z4856
11	Detent Spring	304 Stnls	15229SL	15229SL	15229SL	15229SL	15229SL	15229SL
12	Ret. Screw	304 Stnls	9Q5838	9Q5838	9Q5838	9Q5838	9Q5838	9Q5838

\*\* O-Ring material suffix to match Disc suffix (i.e.-17889VT)

**WARNING** Use only genuine Betts Industries Inc. replacement parts. Use of substitute parts can impair the proper functioning of the Wet-R-Dri Valve.