

Fuel Delivery

6400 Series Co-axial Drop Elbow with 3" Male Vapor Outlet

6400 (4" male inlet), 6400F (4" female inlet), 6430 (3" male inlet), 6430F (3" female inlet)

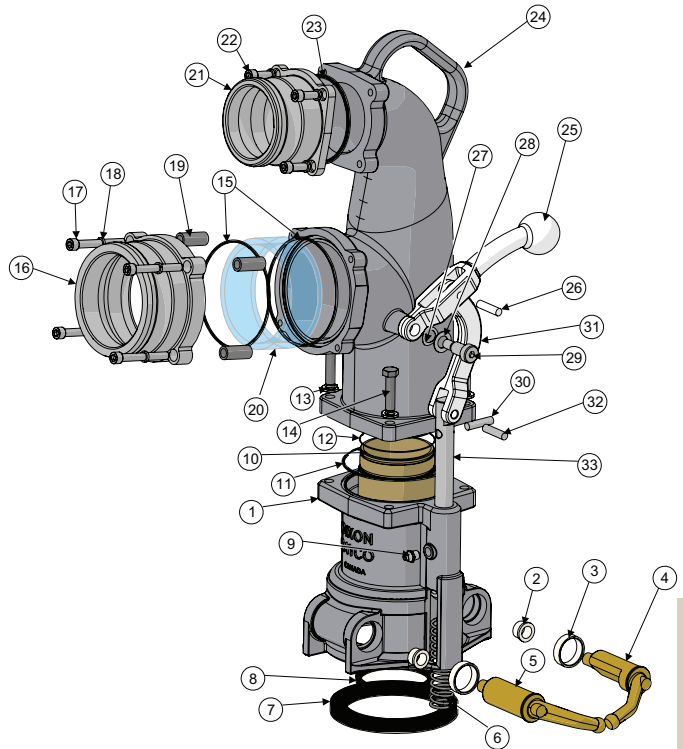
Bill of Materials

Item #	Description	Part #	Qty
1	bottom body	use kit 6230 or 6230X	1
2	small bushing	use kit 6400ARK	2
3	large bushing	use kit 6400ARK	2
4	right arm	use kit 6400ARK	1
5	left arm	use kit 6400ARK	1
6	stem spring	112012	1
7	main gasket	6000-9	1
8	tube U cup seal	U-CUP-2/75	1
9	grease nipple	NIPPLE/1	1
10	tube	use kit 6400-DTK or 6400EXT-3	1
11	O-ring	AS156	1
12	tube O-ring	O-RING#39	2
13	lock washer	use kit 6000EHK	4
14	bolt	use kit 6000EHK	4
15	inlet O-ring	AS156	2
16A	4" adapter fuel inlet (6400)	use kit 6000-17C	1
16B	4" coupler fuel inlet (6400F)	use kit 6000-14C	1
16C	3" adapter fuel inlet (6430)	use kit 6000-16C	1
16D	3" coupler fuel inlet (6430F)	use kit 6000-15C	1
17	inlet bolt	SC5/16-18X2.5P	4
18	inlet bolt lock washer	111723	4
19	inlet bolt spacer	6544CA-1	4
20	sight glass	use kit 6400SGK	1
21A	3" adapter vapor outlet	6400-4	1
21B	3" male NPT vapor outlet	6000-26C	1
22	vapor adapter bolt	4432	4
23	vapor adapter O-ring	110601	1
24	top co-axial elbow body	6400-1	1
25	handle	use kit 6200-15ASSM	1
26	handle pin	PIN5/16X 1 1/4P	1
27	wave washer ¹	use kit 6200SBK ¹	1
28	SS flat washer ¹	use kit 6200SBK ¹	1
29	shoulder bolt ¹	use kit 6200SBK ¹	1
30	set screw	SC3/8NCX1/2	1
31	linkage	use kit 6200-15ASSM	1
32	stem pin	PIN5/16X 1 1/4P	1
33A	lever stem (standard)	6200-7	1
33B	lever stem (tall)	6200-7X	1
34	pivot lock nut ²	use kit 6200SHK ²	1
35	washer ²	use kit 6200SHK ²	2
36	pivot stud ²	use kit 6200SHK ²	1
37	pivot bushing ²	use kit 6200SHK ²	1

¹ items 27, 28 & 29 are for the newer version with a shoulder bolt pivot only.
² for the older version with stud and nut pivot, use items 34 through 37 instead.

Inlet Adapter and Coupler Kits

Part #	Description	Includes Item #
6000-14C	4" coupler inlet kit	16B, 17, 18
6000-15C	3" coupler inlet kit	16D, 17, 18
6000-16C	3" adapter inlet kit	16C, 17, 18
6000-17C	4" adapter inlet kit	16A, 17, 18
6000-26C	3" male NPT vapor outlet	21B



Repair Kits

Part #	Description	Includes Item #
6230	complete bottom unit	1-7, 9, 11, 32, 33A
6230X	complete tall bottom unit	1-7, 9, 11, 32, 33B
6400ARK	L & R arms, main gasket, O-rings, small and large bushings	2-5, 7, 8, 11, 12
6200BK	small and large bushings	2, 3
6400SGK	sight glass and seal	15, 20
6200-15ASSM	handle, lever and pin	25, 26, 31
6000EHK	bolts and washers	13, 14
6400-DTK	tube, O-ring and U cup seal	8, 10, 12
6200SHK ²	pivot stud, bushing, washer and lock nut	34-37
6200SBK ¹	shoulder bolt pivot, wave washer and flat washer	27-29
6400EXT-3	tall tube, O-ring and U cup seal	8, 10, 12

Petroleum Replacement Parts

Product instruction sheets and technical data can be viewed on our website at dixonvalve.com